



# DATUM



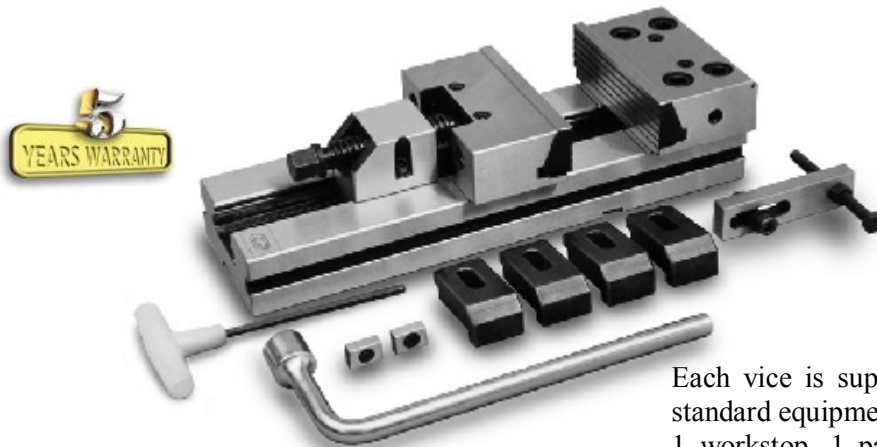
## MODULAR VICES



The Italian link continues to grow at Datum. D'Andrea (Milan) spindle tooling, UFS (Turin) taps, Elbo Controlli (Milan) tool pre-setters and now Vices from Gerardi.

A market leader in Italy the Gerardi Group (Milan) export throughout Europe, U.S.A., Canada, Japan and other countries. Discussions at several of their national industry society meetings led to their introduction to Datum. Our work over the last 5 years, particularly with D'Andrea has highlighted Datum as a good and loyal agent for companies looking for long term growth in the Australian market.

Our first shipment of ART 1 modular vices were a great success. They sold out in the first 2 weeks, and we have already had great feed back from several demanding customers.



Each vice is supplied with the following standard equipment:

1 workstop, 1 pair of positioning blocks (Std 16mm slot), 1 box wrench, 1 hex wrench, 1 set hold down finger clamps

They offer greater machining accuracy, quicker product change over times and are very easy to use thanks to the unique clamping system. One quarter of a turn on the supplied box wrench is enough to easily reach 3,000 – 4,000 kg clamping power eliminating the need to use hammers or tubes.

PHONE  
1800 232 120



IZAR  
Manifattura di Arretrata S.A.L.

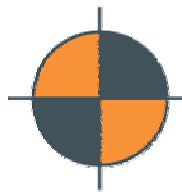


STELLRAM



FAX  
1800 223 221

[www.datum.net.au](http://www.datum.net.au)



DATUM

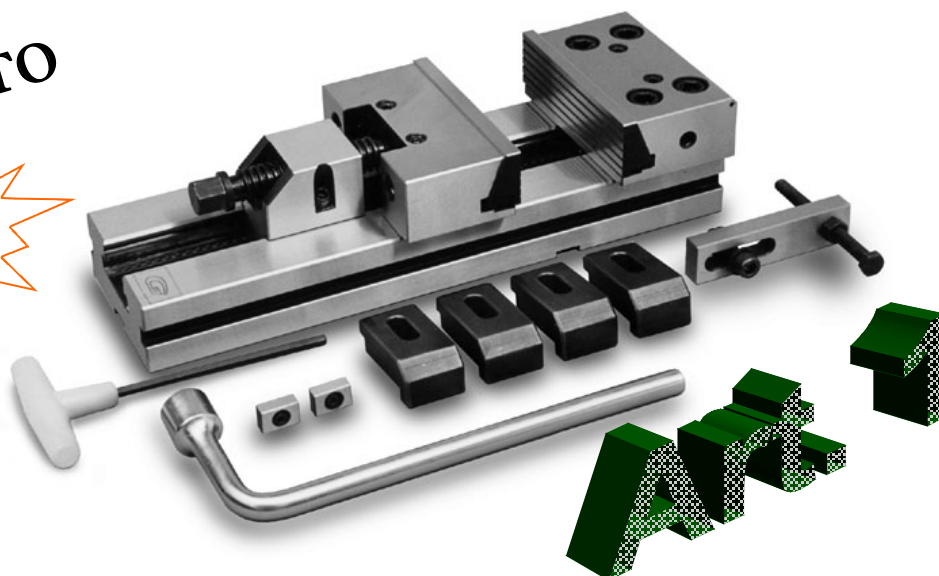


# Special offer 2006

## PRECISION MODULAR VICES

SAVING UP TO

25%



MAX

VICE TYPE	2 125mm		3 150mm		4 175mm				5 200mm			
MAX. OPENING	150	200	300	200	300	400	500	200	300	400	500	
LIST PRICE Art.1 \$	<del>1,485</del>	<del>1,361</del>	<del>1,725</del>	<del>2,394</del>	<del>2,422</del>	<del>2,725</del>	<del>3,028</del>	<del>2,725</del>	<del>3,331</del>	<del>3,937</del>	<del>4,543</del>	
SPECIAL PRICE	<b>\$1,114</b>	<b>\$1,100</b>	<b>\$1,295</b>	<b>\$1,950</b>	<b>\$1,990</b>	<b>\$2,180</b>	<b>\$2,422</b>	<b>\$2,180</b>	<b>\$2,664</b>	<b>\$3,149</b>	<b>\$3,634</b>	

High precision accuracy within 0,02mm overall.  
All steel construction hardened and ground HRc60

PHONE  
1800 232 120



FAX  
1800 223 221

www.datum.net.au