

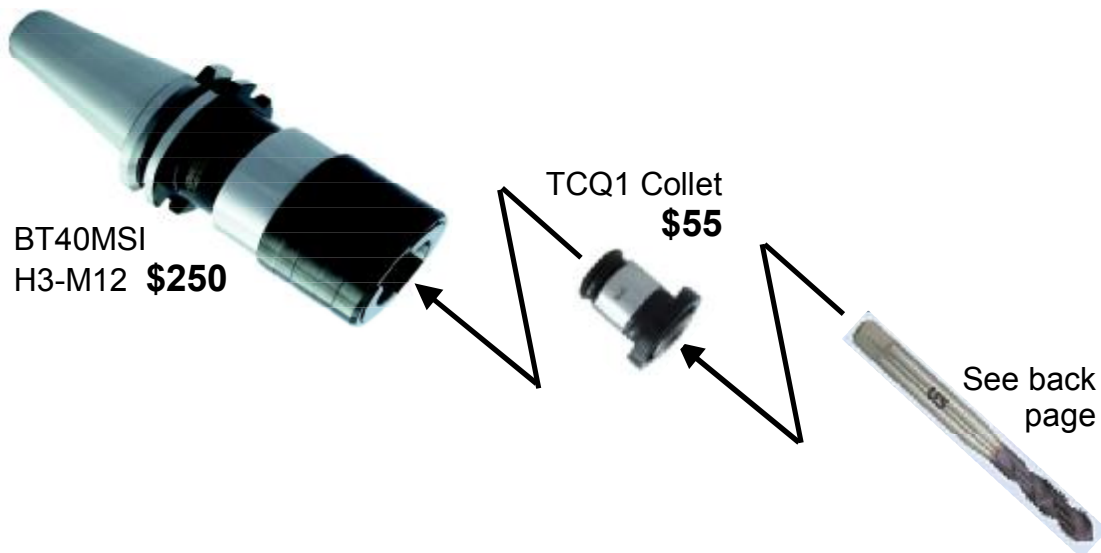


DATUM

Attention: All CNC Machining Centre Users

Datum have put together several popular items from their extensive range of products available from leading manufacturers Stellram, D'Andrea, MA Ford, Gerardi, etc. and offer them at great prices. Don't forget to mention this flyer to take advantage of these specials.

IMPROVE YOUR TAPPING



The D'Andrea quick-change tapping system, utilizes drive from the tap square and offers extremely smooth length compensation as well as optimal initial cutting pressure. Improved tap life is attained even if your machine is fitted with synchronised threading, especially in difficult conditions. Available in monobloc or modular versions for most machine spindle types.

PHONE
1800 232 120



IZAR
Mecanizados de Armonia S.A.L.

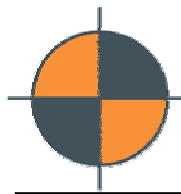


STELLRAM



FAX
1800 223 221

www.datum.net.au



DATUM

TOP UP YOUR COLLET SETS!



ER16 \$22
 ER25 \$26
 ER32 \$26
 ER40 \$32



0.003mm concentricity

D'Andrea ER Collet Chuck

BT40ER16 \$105
 BT40ER25 \$105
 BT40ER32 \$105
 BT40ER40 \$115

Buy any five ER Collets and receive a D'Andrea BT40 ER Collet Chuck for just \$85.00

NEW PRECISION METRIC PARALLEL SET



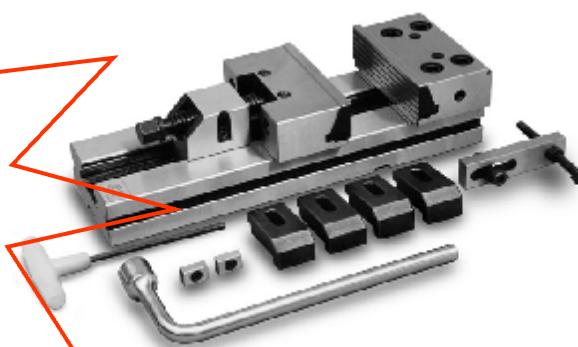
VP112 12 pce Ground
 Parallel Set Metric **\$239.00**

Wide 4.6 x Long 150
 2 pcs each 32H, 34H, 36H, 38H, 40H, 44High



ITALY

Purchase a GERARDI PRECISION VICE before the end of the Financial Year 2006 and receive a "NEW" VP112 Parallel set for just \$100.



Art1 150mm Gerardi Precision Modular Vices

Size 3 150 x 200mm opening

GREAT PRICE \$1,100

Other sizes are available.

All items are ex-stock and subject to prior sale.

All prices quoted are ex-GST and freight.

Prices valid until 30th June 2006.

GREAT SAVINGS



ELECTRONIC EDGE FINDER with



LED and BEEPER
 Accuracy 0.005mm
 20mm Shank
 Valuable Setting Tool for all Workshops
 P9454515 **\$95.00**

ELECTRONIC TOOL LENGTH SETTER P9454105 **\$210**

Stainless steel housing, 100% rustproof
 Horizontal and vertical position
 Can be used on Machining Center and CNC Lathe



MA FORD TUFFCUT GP WORKHORSE



Designed to excel in all types of materials and on all machine types. Now Altima coated as standard, the ultimate AlTiN PVD coating licenced to MA Ford by MMC Kobelco.






BUY IN LOTS OF 5 AND SAVE

3.0mm TiALN CARBIDE 2, 3 or 4 FLUTE	5 off \$78
4.0mm TiALN CARBIDE 2, 3 or 4 FLUTE	5 off \$110
5.00mm TiALN CARBIDE 2, 3 or 4 FLUTE	5 off \$116
6.00mm TiALN CARBIDE 2, 3 or 4 FLUTE	5 off \$130

BARGAIN PRICES

7745VT COUNTERSINK, CHAMFER & SPOT-DRILL



-  Industry standard TCMT16 for Counter Sink & Chamfer.
-  Special ZR geometry available for Spot-drill
-  Through tool coolant



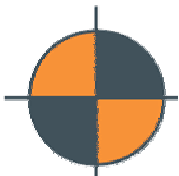
7745 VT16-WA020 plus 10 off TCMT 32.51-73 NL30 **\$390**

All items are ex-stock and subject to prior sale.
 All prices quoted are ex-GST and freight.
 Prices valid until 30th June 2006.

PHONE
 1800 232 120



FAX
 1800 223 221



DATUM



QUALITY TAPS AT GREAT PRICES!



M3 - M12 DRILL & TAP SET

ITALY

14 PIECE SPIRAL FLUTE SET

JUST \$200

14 PIECE SPIRAL POINT SET

JUST \$200

Replacement or individual taps:

E60M3V M3.0 x 0.50mm DIN371 36° SPIRAL FLUTE TAP	\$17.00
E24M3V M3.0 x 0.50mm DIN371 GUN NOSE TAP	\$17.00
E60M4V M4.0 x 0.70mm DIN371 36° SPIRAL FLUTE TAP	\$17.00
E24M4V M4.0 x 0.70mm DIN371 GUN NOSE TAP	\$17.00
E60M5V M5.0 x 0.80mm DIN371 36° SPIRAL FLUTE TAP	\$17.00
E24M5V M5.0 x 0.80mm DIN371 GUN NOSE TAP	\$17.00
E60M6V M6.0 x 1.00mm DIN371 36° SPIRAL FLUTE TAP	\$17.00
E24M6V M6.0 x 1.00mm DIN371 GUN NOSE TAP	\$17.00
E60M8V M8.0 x 1.25mm DIN371 36° SPIRAL FLUTE TAP	\$19.20
E24M8V M8.0 x 1.25mm DIN371 GUN NOSE TAP	\$18.50
E60M10V M10 x 1.50mm DIN371 36° SPIRAL FLUTE TAP	\$22.40
E24M10V M10 x 1.50mm DIN371 GUN NOSE TAP	\$21.60

SWITCH TO STELLRAM SP6564 GRADE!



GREAT OPORTUNITY TO LOAD YOUR "A" STYLE BODY WITH SP6564

We are having lots of success with SP6564 particularly in "A" style inserts in most applications.

Here is your chance to try them for yourself at great prices.

10 x APKT 1003 PDER-45 SP6564 - MILLING INSERT	\$8.85 each
10 x ADKT 1505PDER-47 SP6564 - MILLING INSERT	\$10.35 each
10 x APKT 1604 PDER-45 SP6564 - MILLING INSERT	\$10.55 each

All items are ex-stock and subject to prior sale.

All prices quoted are ex-GST and freight.

Prices valid until 30th June 2006.

PHONE
1800 232 120



FAX
1800 223 221

www.datum.net.au