



DATUM

TOMBSTONE

To support the ever-growing demand for Horizontal Machining Centre work-holding products, Datum now offers a very competitive range of Tombstones.

Each tombstone is manufactured from one integral solid casting (G30 to ensure maximum rigidity), with 43-45mm wall thickness and double stress relieved.

These Tombstones are available in:

- Square cubes
- Rectangular cubes
- Crank-web

Supplied "semi finished" with base machined and drilled to machine pallet specifications. Top machined then drilled and tapped for eyebolt. Finish machining of working surfaces to be completed by customer on the machine.

PHONE
1800 232 120



IZAR
Movimientos de Asamblea S.A.L.



ATI Stellram
Alphagry Technologies



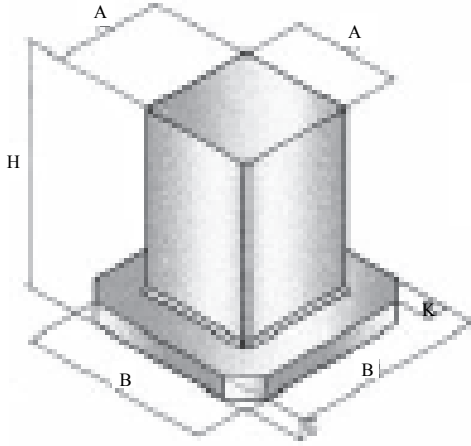
FAX
1800 223 221

www.datum.net.au



TOMBSTONES - 5-FACE CUBES & CRANKWEB

53A



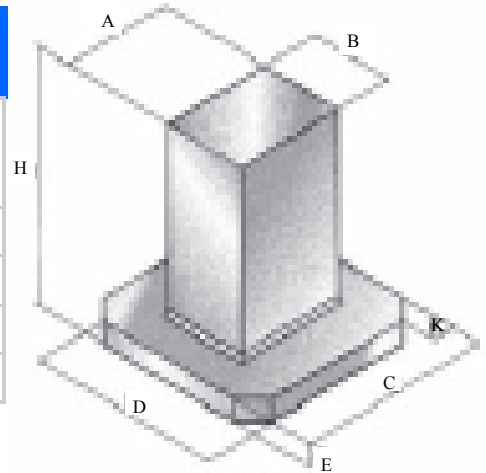
5 FACE CUBE

Dimensions (mm) **					Weight kg Cast Iron	Code	Price
A	B	C	H	K			
250	400	40	550	50	225	8.53.A00080	\$3,055
250	500	40	610	50	250	8.53.A00090	\$3,428
250	500	40	650	50	280	8.53.A00100	\$3,570
350	500	40	610	50	360	8.53.A00170	\$4,319
350	630	40	820	60	470	8.53.A00180	\$5,840
450	630	40	650	60	460	8.53.A00200	\$5,991

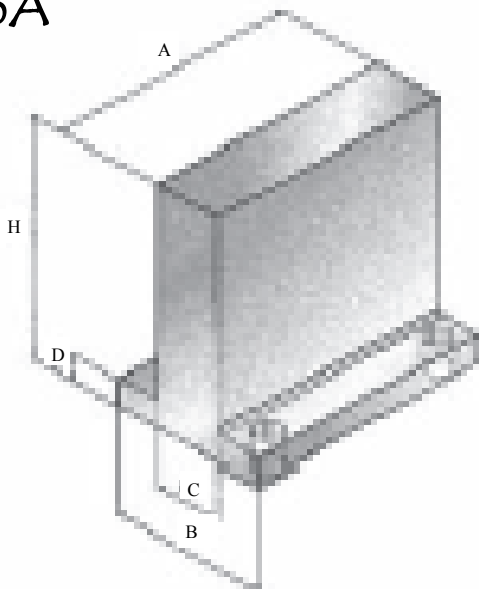
54A

RECTANGULAR CUBE

Dimensions (mm) **							Weight kg Cast Iron	Code	Price
A	B	C	D	E	H	K			
350	250	500	500	40	750	50	360	8.54.A00070	\$4,310
300	200	400	400	40	550	50	215	8.54.A00080	\$2,958
450	350	630	630	40	650	50	495	8.54.A00110	\$5,588



55A



CRANKWEB

Dimensions (mm) **					Weight kg Cast Iron	Code	Price
A	B	C	D	H			
450	350	100	50	525	250	8.55.A00060	\$3,194
450	350	100	50	620	283	8.55.A00070	\$3,597
550	350	100	60	650	354	8.55.A00080	\$4,269
500	350	100	60	625	314	8.55.A00090	\$3,888
450	350	150	50	610	295	8.55.A.00120	\$3,710
550	350	150	60	670	360	8.55.A00150	\$4,319
550	450	150	60	820	464	8.55.A00160	\$5,297
630	450	150	60	820	560	8.55.A00170	\$6,200

Note: ** Nominal Dimensions. Supplied with 3-5mm metal allowance on each surface.